

General Specifications

Motor Structure: Shaded Pole Induction Motor
 Motor Protection: B5A Class : Thermal Protection
 Insulation Resistance:
 10M Ω or over with a DC500V Megger
 Dielectric Withstand Voltage: AC 700V 1s
 Allowable Ambient Temperature Range:
 -10°C ~ +60°C (Operating)
 -40°C ~ +70°C (Storage)
 (non-condensing environment)

Expected Life

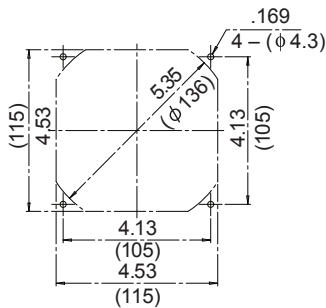
Failure Rate: 10%
 25°C 90,000 Hours

Material

Casing : Aluminum (Black Painting)
 Impeller : Steel
 Bearing : Ball Bearings
 Lead Wire : AWG22, UL3266
 or Terminal : Faston #110 or equivalent

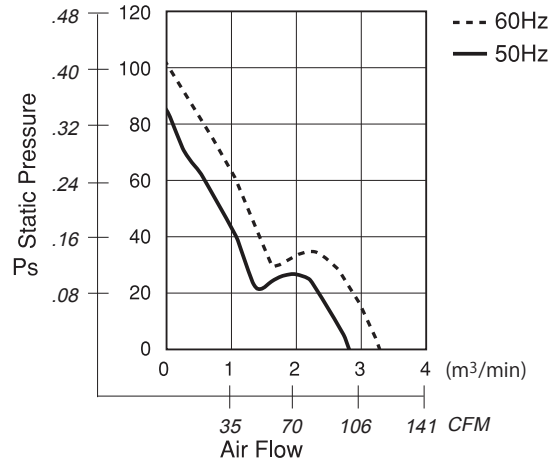
Panel Cut-Outs

Units: inch
(mm)

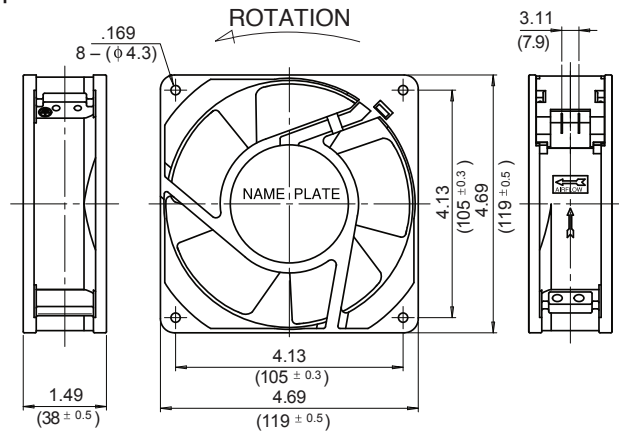


INLET SIDE / OUTLET SIDE

Characteristic Curves



Outline



Specifications

MODEL	LEGACY P/N	Rated Voltage	Frequency	Starting Voltage	Current	Input Power	Speed	Max. Air Flow		Max. Static Pressure		Noise	Mass
		(V)	(Hz)	(V)	(A) ^{*1}	(W)	(min ⁻¹) ^{*2}	CFM ^{*1}	(m³/min) ^{*2}	in H ₂ O	(Pa) ^{*2}	(dB) ^{*2}	(g)
** 11938TB-A0N-NP-00	4715TS-10T-B5A-B00	100	50	65	0.450	20.0	2600	98.84	2.80	0.352	88.0	46	610
		100	60	65	0.340	17.0	3100	116.49	3.30	0.400	100.0	50	610
11938TB-A1N-NP-00	4715TS-12T-B5A-A00	115	50	75	0.390	21.0	2600	98.84	2.80	0.352	88.0	46	610
		115	60	75	0.300	17.0	3100	116.49	3.30	0.400	100.0	50	610
** 11938TB-B0N-NP-00	4715TS-20T-B5A-B00	200	50	130	0.220	21.0	2600	98.84	2.80	0.352	88.0	46	610
		200	60	130	0.170	17.0	3100	116.49	3.30	0.400	100.0	50	610
** 11938TB-B2N-NP-00	4715TS-22T-B5A-B00	220	50	145	0.200	20.0	2600	98.84	2.80	0.352	88.0	46	610
		220	60	145	0.150	17.0	3100	116.49	3.30	0.400	100.0	50	610
11938TB-B3N-NP-00	4715TS-23T-B5A-A00	230	50	175	0.190	21.0	2600	98.84	2.80	0.352	88.0	46	610
		230	60	175	0.140	17.0	3100	116.49	3.30	0.400	100.0	50	610
** 11938TB-B4N-NP-00	4715TS-24T-B5A-A00	240	50	175	0.180	20.0	2600	98.84	2.80	0.352	88.0	46	610
		240	60	175	0.140	17.0	3100	116.49	3.30	0.400	100.0	50	610

Rotation: Counterclockwise

Airflow Outlet: Air Out Over Struts

** Contact NMB for Availability

*1: Maximum Values in Free Air

*2: Average Values in Free Air

*3: Minimum Values in Free Air